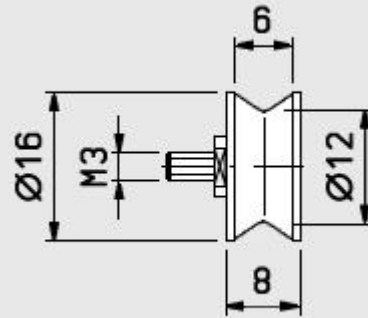
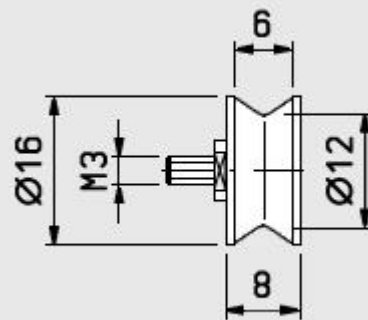




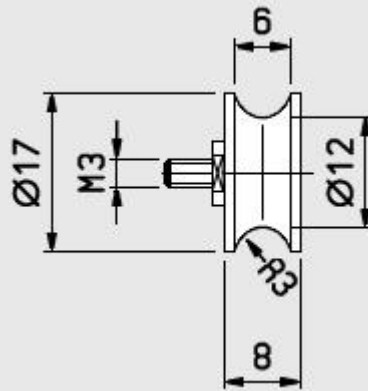
**Standard Roller(SUS)**  
**SUS1201**



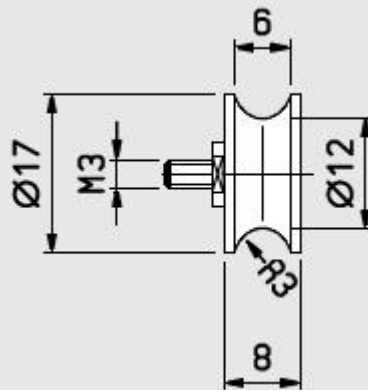
**Plastic Roller (POM)**  
**POM1201**



**Standard Roller(SUS)**  
**SUS1205**

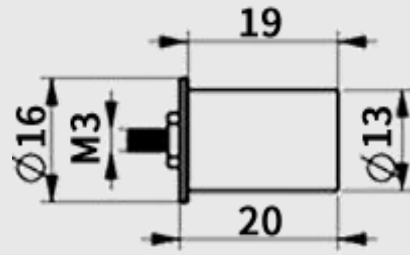


**Plastic Roller (POM)**  
**POM1205**

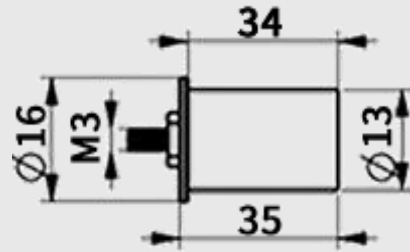




**Tape Roller(SUS)**  
**TR1320**



**Tape Roller(SUS)**  
**TR1335**



**Tape Roller(SUS)**  
**TR1350**

